

MOORES STANDARD KODIAL VIEWPORTS

TECHNICAL DATA

moores
GLASSWORKS

Product Category

Vacuum viewports can be supplied in 'Conflat' and ISO KF or LF flanges. Viewing diameters range from 16mm to 135mm. The viewport is manufactured using optical quality Kodial glass which is sealed into a Kovar metal transition piece finally being Tig welded into the stainless-steel vacuum flange.

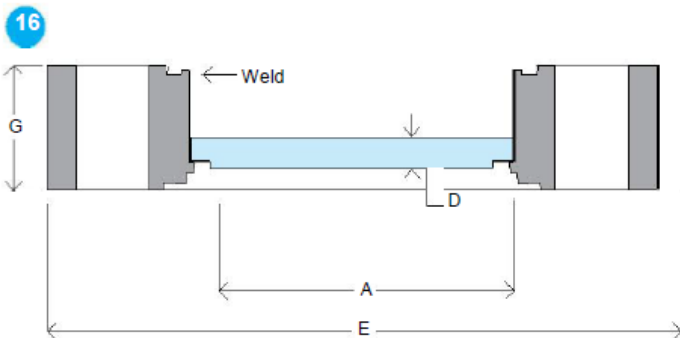
Specification

- Viewport material kodial glass
- Standard Flange material is 304L stainless steel, (316L on request)
- Spinning material is Kovar
- Maximum Temperature 400°C
- 3°C/Minute Maximum Heating Rate
- 1.487 Refraction Index
- Cleaned to UHV-standards

Note: CF flanged viewports require a fully annealed copper gasket

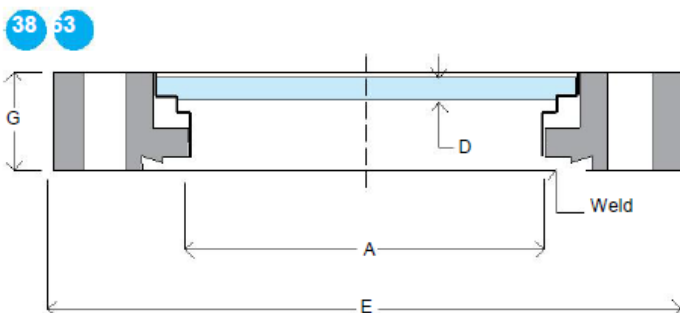


CF ZERO LENGTH

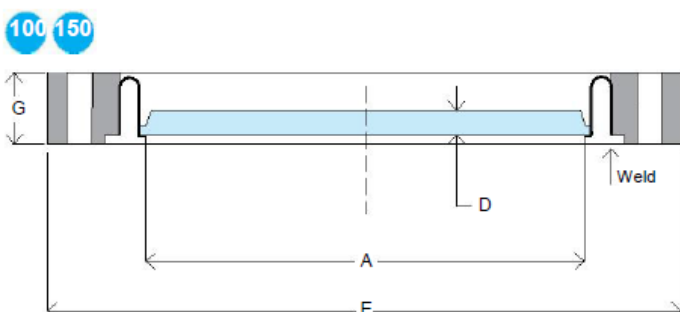


CAT REF	FLANGE	MAT	A	B	C	D	E	F	G
VPZ-16	DN16CF	Kodial	16.0	-	-	1.7	34.0	-	12.0
VPZ-38	DN40CF	Kodial	37.6	-	-	3.0	70.0	-	13.0
VPZ-63	DN63CF	Kodial	65.0	-	-	3.5	114.0	-	17.5
VPZ-100	DN100CF	Kodial	90.0	-	-	6.0	150.0	-	20.0
VPZ-150	DN150CF	Kodial	135.0	-	-	8.0	200.0	-	22.5

CF flanged viewports require a fully annealed copper gasket



GASKETS	PACK
G-133-ANNEALED	5
G-275-ANNEALED	5
G-450-ANNEALED	5
G-600-ANNEALED	5
G-800-ANNEALED	5



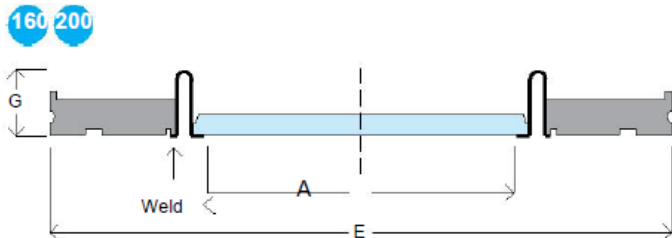
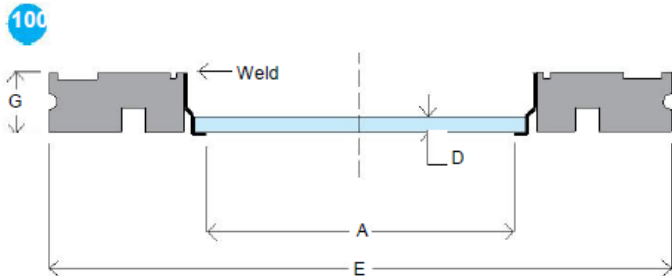
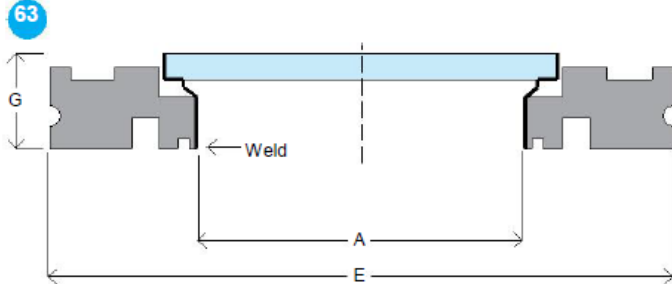
MOORES STANDARD KODIAL VIEWPORTS

TECHNICAL DATA CONT

moores
GLASSWORKS

ISO ZERO LENGTH

CAT REF	FLANGE	MAT	A	B	C	D	E	F	G
LVP-63	ISO-63	Kodial	49.0			3.5	95.0		14.0
LVP-80	ISO-80	Kodial	49.0			3.5	110.0		14.0
LVP-100	ISO-100	Kodial	63.0			3.5	130.0		12.0
LVP-160	ISO-160	Kodial	90.0			6.0	180.0		18.0
LVP-200	ISO-200	Kodial	135.0			8.0	240.0		18.0



NW VIEWPORTS

CAT REF	FLANGE	MAT	A	B	C	D	E	F	G
KVP-16	DN16KF	Kodial	16.0	19.0	8.5	1.7	30.0	22.0	12.7
KVP-25	DN25KF	Kodial	16.0	19.0	8.0	1.7	40.0	25.4	12.7
KVP-40	DN40KF	Kodial	32.0	43.0	8.5	3.0	55.0	44.5	12.7
KVP-50	DN50KF	Kodial	32.0	43.0	6.5	3.0	75.0	50.5	12.7

